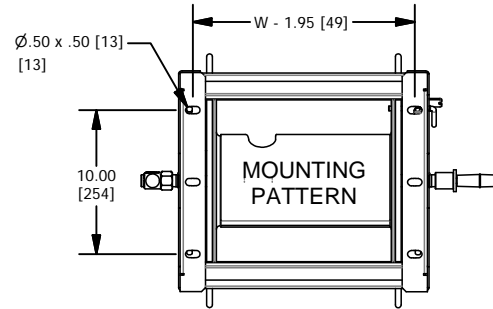
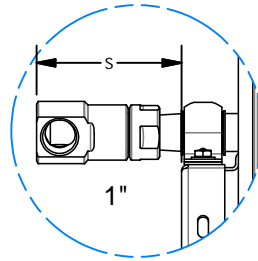
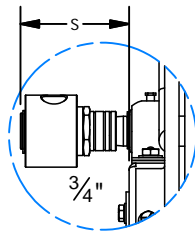
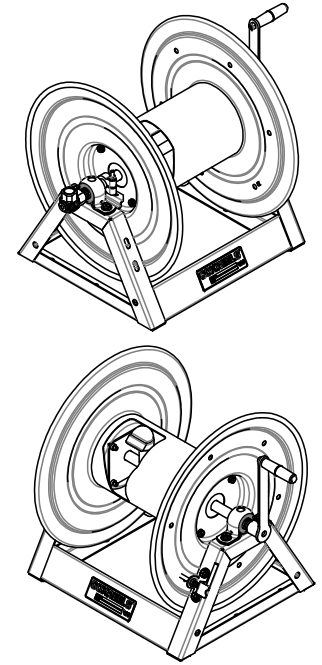
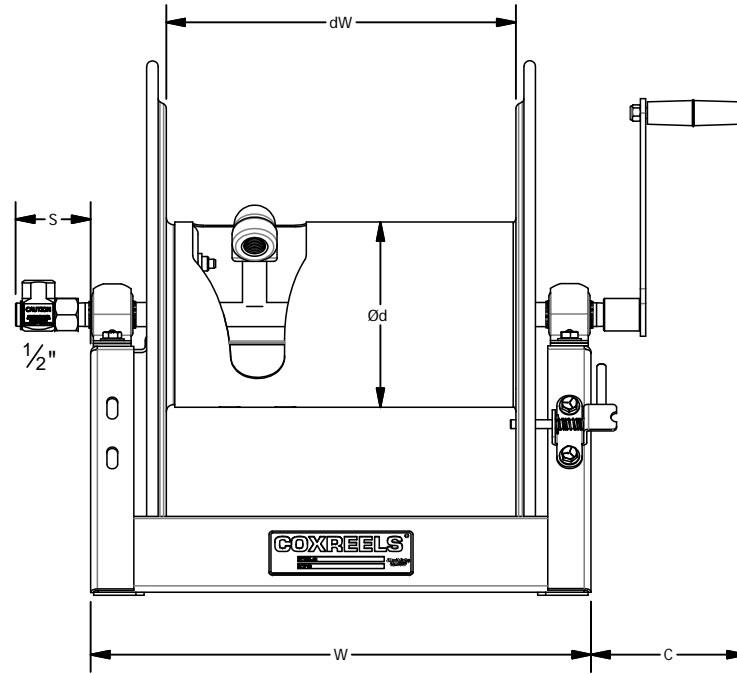
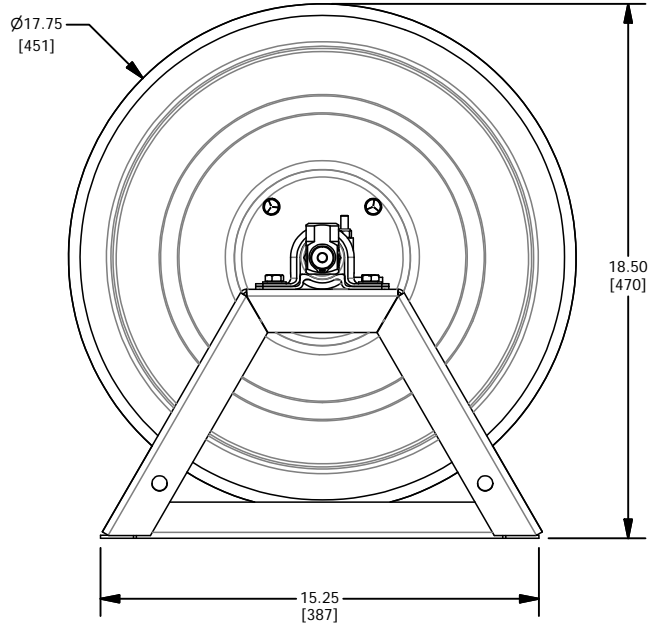


in[mm]



MODEL	DIM "S" in[mm]	DIM "C" in[mm]	DIM "Ød" in[mm]
1125-4 (1/2")	2.69 [68]	5.38 [137]	6.43 [163]
1125-5 (3/4")	3.78 [96]	5.61 [143]	6.43 [163]
1125-6 (1")	5.03 [128]	6.06 [154]	8.46 [215]

SPECIFICATIONS		
FEATURE	SPEC.	OPTION
PRESSURE	3000 PSI [275 BAR]	5000 PSI [345 BAR] 1/2" 4500 PSI [310 BAR] 3/4"
TEMPERATURE (HOSE DEPENDANT)	-40 F TO 225 F [-40 C TO 107 C]	-60 F TO 400F [-51 C TO 204 C]
INLET THREAD	NPT FEMALE	-
OUTLET THREAD	NPT FEMALE	-

MODEL	PLUMBING SIZE	dW in[mm]	W in[mm]	1" (1.44" OD) CAPACITY ft[m]	3/4" (1.25" OD) CAPACITY ft[m]	1/2" (7/8" OD) CAPACITY ft[m]	3/8" (3/4" OD) CAPACITY ft[m]	WEIGHT lb[kg]
1125-4-100	1/2"	6 [152]	11.38 [289]	-	-	100 [30]	140 [43]	36 [16]
1125-4-200	1/2"	12 [305]	17.38 [441]	-	-	200 [61]	300 [91]	39 [18]
1125-4-325	1/2"	18 [457]	23.38 [594]	-	-	325 [99]	450 [137]	48 [22]
1125-4-450	1/2"	24 [610]	29.38 [746]	-	-	450 [137]	625 [191]	52 [24]
1125-4-500	1/2"	28 [711]	33.38 [848]	-	-	500 [152]	700 [213]	58 [26]
1125-5-50	3/4"	6 [152]	11.38 [289]	-	50 [15]	100 [30]	-	38 [17]
1125-5-100	3/4"	12 [305]	17.38 [441]	-	100 [30]	200 [61]	-	42 [19]
1125-5-175	3/4"	18 [457]	23.38 [594]	-	175 [53]	325 [99]	-	50 [23]
1125-5-200	3/4"	24 [610]	29.38 [746]	-	200 [61]	450 [137]	-	55 [25]
1125-5-250	3/4"	28 [711]	33.38 [848]	-	250 [76]	500 [152]	-	59 [27]
1125-6-35	1"	9.5 [241]	14.88 [378]	35 [11]	50 [15]	-	-	50 [23]
1125-6-50	1"	15.5 [394]	20.88 [530]	50 [15]	75 [23]	-	-	55 [25]
1125-6-75	1"	22 [559]	27.38 [695]	75 [23]	120 [37]	-	-	62 [28]
1125-6-100	1"	28 [711]	33.38 [848]	100 [30]	150 [46]	-	-	69 [31]

MATERIAL SPECIFICATIONS		
COMPONENT	MATERIAL	OPTIONS
PLUMBING	STEEL	302 STAINLESS STEEL
SWIVEL	BRASS (1/2" & 3/4") NI-PLATED STEEL(1")	NI-PLATED STEEL, 316 STAINLESS STEEL
SEALS	NITRILE	VITON, EPDM, AFLAS
REEL	STEEL	304 STAINLESS STEEL
BEARINGS	BRONZE, SELF LUBE	-
DRAG BRAKE	NYLON	PBI GLASS BLEND FABRIC
FINISH	BLUE POLYESTER POWDER COAT (STAINLESS- POLISHED, RAW)	RED(R), GREEN(N), WHITE(W), BLACK [WRINKLE(C)/GLOSS(K)], GREY(G)

PART NUMBER

CAPACITY: 100 200 325 450 500 700

COLOR: X XX XXX

ROLLERS & SETUP: X XX XXX

PLUMBING SIZE: 4 = 1/2", 5 = 3/4", 6 = 1"

ADD -C FOR FRONT CRANK

PLUMBING & SWIVEL OPTIONS

UNLISTED OPTIONS & CUSTOM REELS

NOT ALL OPTIONS ARE LISTED, CONTACT YOUR SALES REPRESENTATIVE OR FACTORY FOR ADDITIONAL OPTIONS & CUSTOM MODIFICATIONS

COXREELS

5865 S Ash Avenue Tempe, Az 85283
1-800-COX-REEL www.coxreels.com

THIS DOCUMENT CONTAINS PROPRIETARY INFORMATION AND IS THE PROPERTY OF COXREELS, INC. THE COPYING, DISTRIBUTION AND UTILIZATION OF THIS DOCUMENT AS WELL AS COMMUNICATION OF ITS CONTENT TO OTHERS WITHOUT THE WRITTEN AUTHORIZATION OF COXREELS, INC., IS PROHIBITED.

TITLE: **1125 SERIES HAND CRANK**

DWG. NO.: **1125 SERIES C**

3RD ANGLE

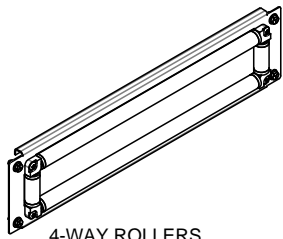
INTERPERT PER ASME : Y14.5M-1994 DO NOT SCALE DWG.

SIZE: A

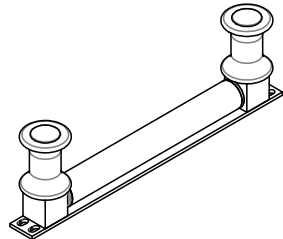
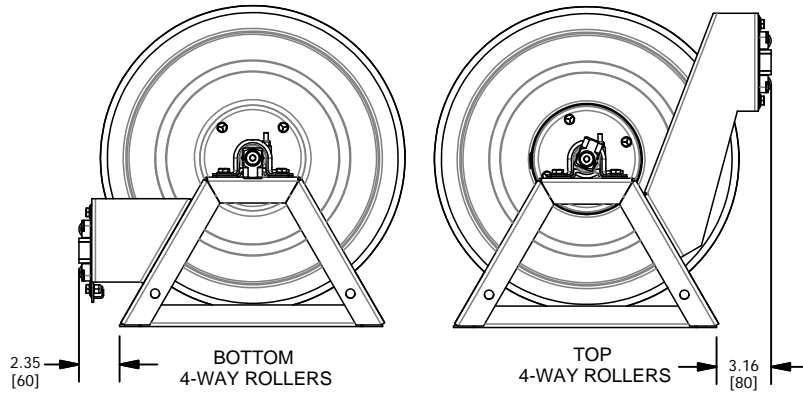
SHT: 1 OF: 2

ROLLER BRACKET OPTIONS

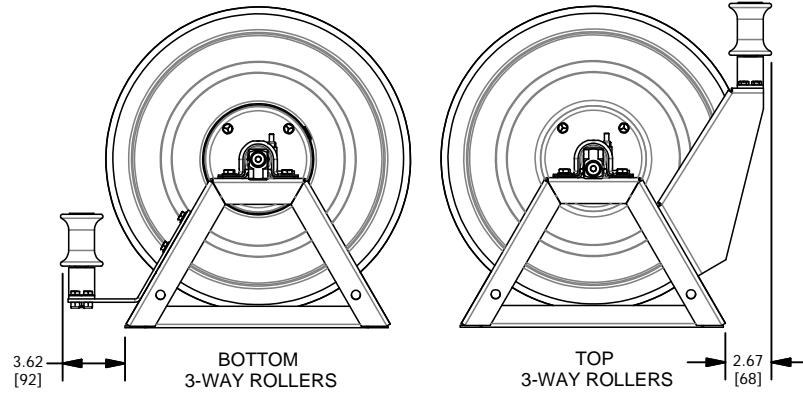
in[mm]



4-WAY ROLLERS
STAINLESS STEEL
Ø1" ROLLERS

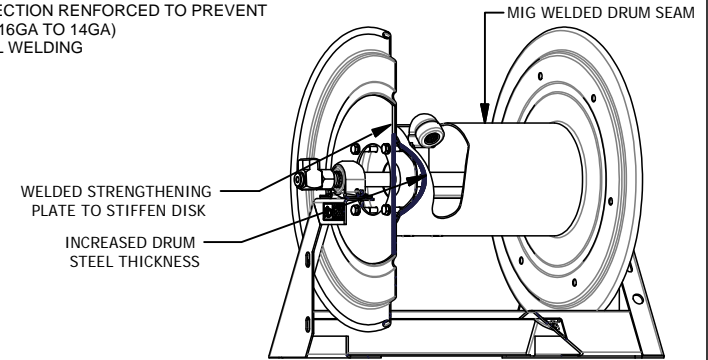


3-WAY ROLLERS
STAINLESS STEEL
Ø1.5" ROLLER
CHROME PLATED
STEEL SPOOLS



BRAWNY OPTION

- FOR HIGH PRESSURE WITH HEAVY PULSE APPLICATIONS
- 10 GAUGE PLATES ADDED TO EACH DISC
- CENTER SECTION REINFORCED TO PREVENT CRUSHING (16GA TO 14GA)
- ADDITIONAL WELDING

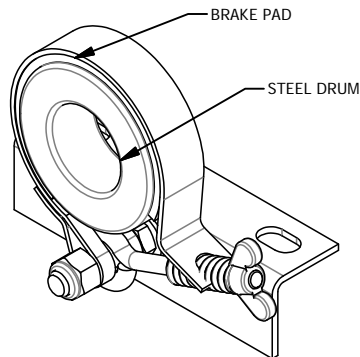
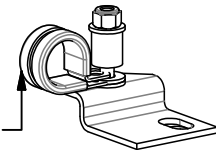


HIGH TEMP DRAG BRAKE

FOR APPLICATION OF FLUID TEMPERATURE ABOVE 225°F [107°C] (MAX TEMP DEPENDS ON SEAL SELECTION)

7429-1-4 FOR ½" MODELS
7429-1-5 FOR ¾" MODELS

TEFLON PBI-POLYAMIDE GLASS BLEND FABRIC OVER STEEL BAND



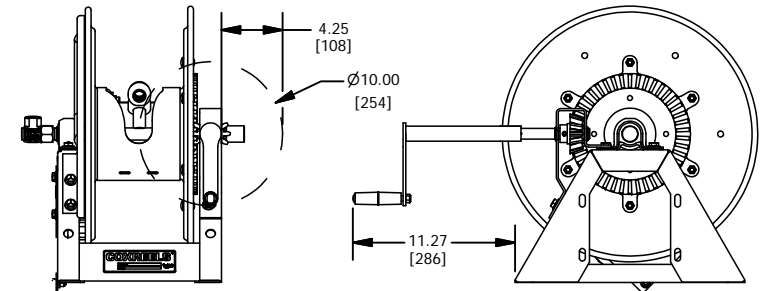
HEAVY DUTY BAND BRAKE

BAND-TYPE BRAKE WITH BONDED BRAKE PAD STEEL BRAKE DRUM MOUNTED ON AXLE

P/N 8340 FOR 1" MODELS

BEVEL CRANK

BEVEL CRANK WITH REMOVABLE HANDLE



COXREELS
5865 S Ash Avenue Tempe, Az 85283
1-800-COX-REEL www.coxreels.com
THIS DOCUMENT CONTAINS PROPRIETARY INFORMATION AND IS THE PROPERTY OF COXREELS, INC. THE COPYING, DISTRIBUTION AND UTILIZATION OF THIS DOCUMENT AS WELL AS COMMUNICATION OF ITS CONTENT TO OTHERS WITHOUT THE WRITTEN AUTHORIZATION OF COXREELS, INC., IS PROHIBITED.

TITLE: 1125 SERIES OPTIONS & ACCESSORIES		
DWG. NO.: 1125 SERIES C	REV. -	SIZE: A
3RD ANGLE	INTERPERT PER ASME : Y14.5M-1994 DO NOT SCALE DWG.	SHT:2 OF:2